



DESCRIPTION

As a member of the AspectFT® family of products, AspectFT-Facility™ is a hardware platform designed to provide centralized server capabilities to facilities containing multiple AspectFT-Matrix™ or IP enabled devices. Through the use of AspectFT-Facility, users gain centralized web access, large historical database storage, as well as additional capabilities to provide flexible building automation and control routines.

Through the use of AAM's Facilitating Technology (FT), AspectFT-Facility provides a powerful hardware platform with sufficient resources and storage to manage an entire network of AspectFT products. In addition, it integrates with popular internet programs to allow end-users more freedom. With AspectFT, your PC, tablet, or smart device can integrate with your building easily and efficiently. Big things really do come in small packages...

FEATURES & OVERVIEW

HARDWARE SPECIFICATIONS

Intel® Atom™
Dual Core CPU @ 1.66 GHz
2 GB RAM
64 GB SSD

COMMUNICATIONS

10/100/1000 MB Ethernet Port
RJ-45 Connection

OPERATING SYSTEM

Embedded Linux OS
Java™ Virtual Machine (JVM)
AspectFT Runtime Engine

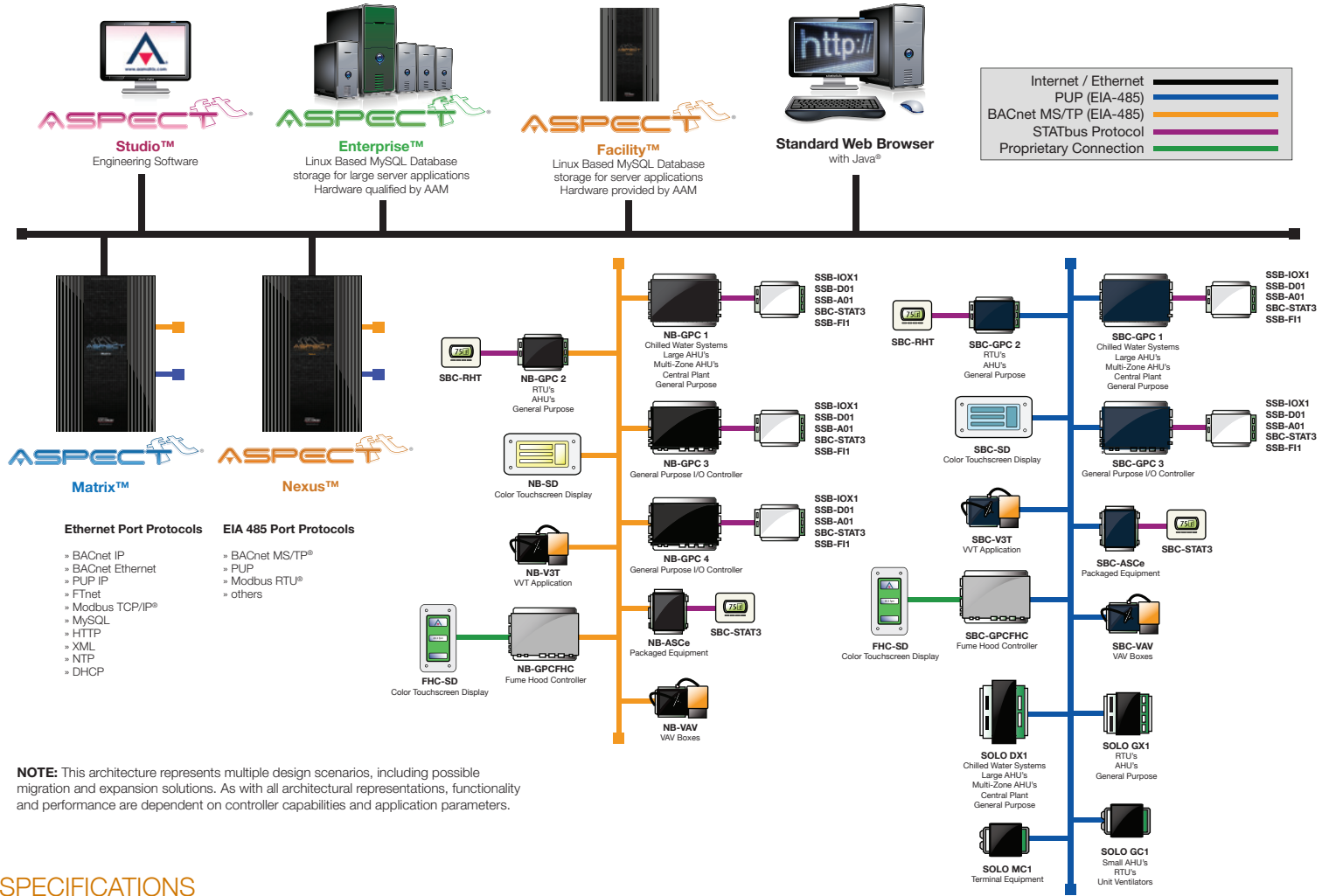


**AMERICAN
AUTO-MATRIX®**

www.aamatrix.com

- ▶ **Centralized System Management**
Provides the ability to manage an entire network of AspectFT products by acting as a centralized server providing web, data, and other building information from one single entry point
- ▶ **Integrated MySQL® Database Server**
Used to store all historic data as well as provide third-party interfaces with data from the building automation system without the need for special add-on protocol drivers
- ▶ **Comprehensive User/Group Based Security**
Restrict or allow access to myriad of points based on individual or group credentials
- ▶ **Java-based Graphical User Interface**
Accessible from most standard web browsers - does not require a proprietary software plug-in
- ▶ **Licensed to communicate with up to four Matrix Area Controllers via the FTNet protocol**
- ▶ **Schedule & Calendar Implementation**
Interact with iCalendar format tools such as Microsoft Outlook® 2007, iCal®, Google Calendar™ and other popular programs
- ▶ **Receive Important Building Information**
AspectFT utilizes common web technologies to allow the end-user more freedom. Through common e-mail and internet protocols, almost any smart device or computer can receive critical data without the need for special add-on software from AAM.
(For RSS, Aspect Viewer can be downloaded from AAM Toolbox)
- ▶ **SDP Driver**
Integrates with American Auto-Matrix SageMax legacy control devices
(Applies to IP SageMax devices only)
- ▶ **USB Modem Connectivity**
For sites that do not have or allow internet connection, a USB modem can be utilized for communication
- ▶ **AspectFT Supervisory Control Engine**
Supervisory based control functions including but not limited to energy management routines, custom sequencing, alarm and event annunciation, historical alarming and trending, and master control scheduling
- ▶ **Secure System Platform**
Utilizing a secure and reliable Linux OS foundation – eliminating the need to maintain or implement security policies (virus scan, firewall, etc.)

SYSTEM ARCHITECTURE



SPECIFICATIONS

Ethernet Network

Termination Count: 1 connection
Connection Type: RJ-45 female
Speed: 10/100/1000 MB auto-sensing

Setup & Configuration

Software: AspectFT-Studio w/ USB copy protection key & license file
Browser: Internet Explorer® 7 of later, Mozilla Firefox® 3.0 or later, Safari® 3.2 or later, Google Chrome 1.0 or later

Power Requirements

Power Source: 115 VAC (95 VAC-190 VAC) or 230 VAC (190 VAC-264 VAC)
Input Frequency: 47Hz to 63Hz
Line Protection: 5A
Power Connection : IEC 320-C14 Socket
Mating Cable: IEC 320-C13 Plug

Operating Conditions

Operating Temperature: 32° F to 122° F (0° C to 50° C)
Storage Temperature: -4° F to 149° F (-20° C to 65° C)
Operating Humidity: 10 to 90% RH non-condensing
Storage Humidity: 5 to 95% RH non-condensing

Dimensions/Weight/Mounting (see front disclaimer regarding new enclosures)

Approximate Dimensions (old/new): 10" x 9" x 3.5" / 12.90" x 8.34" x 4"
Approximate Weight (old/new): 7 / 7.5 lbs (not including shipping material)
Mounting (old/new): wall bracket (included)

Safety

UL-60950-1, 1st Edition, 2007-10-31
 (IT Equipment - Safety - Part 1: General Requirements)
CSA C22.2 No. 60950-1-03, 1st Edition, 2006-07
 (IT Equipment - Safety - Part 1: General Requirements)
EN 60950-1 : 2001
 (IT Equipment - Safety - Part 1: General Requirements)
CE Compliant

Electromagnetic Compliance

EN 61326-1-2006 | EN 55011 | EN 61000-3-2 | EN 61000-3-3
 Code of Federal Regulations 47 Part 15, Sub Part B, Class B (FCC)

Part Numbers

ASPECT-FAC-SRVHW: AspectFT-Facility Server with communication up to 4 other FTNet devices (including Server Hardware)
ASPECT-FAC-UPGR: AspectFT-Facility Server Upgrade for communication to an additional 5 FTNet devices



American Auto-Matrix
 One Technology Lane
 Export, PA 15632
 724-733-2000

aam@aamatrix.com
www.aamatrix.com



American Auto-Matrix is a Service-Disabled Veteran-Owned Small Business / Woman-Owned Business (CCR Cage #4LL80)

This document must not be copied in part or in whole for any purpose other than that for which it was intended. This document does not constitute any warranty, expressed or implied. Every effort has been made to ensure that all information was correct at the time of publication. American Auto-Matrix reserves the right to alter the specifications, performance, capabilities, and presentation of this product at any time. MODBUS, MODBUS RTU, and MODBUS TCP/IP are registered trademarks of Modbus Organization, Inc. Java, JavaScript, MySQL and JavaBeans are either registered trademarks or trademarks of Oracle Corporation in the United States and other countries. Intel and ATOM are either registered trademarks or trademarks of the Intel Corporation. Microsoft Outlook and Internet Explorer are registered trademarks of Microsoft. Linux is a registered trademark of Linus Torvalds. iCal and Safari are registered trademarks of Apple, Inc. Google Calendar is a trademark of Google. Mozilla Firefox is a registered trademark of the Mozilla Corporation. BACnet and BACnet International are registered trademarks of ASHRAE. USGBC and related logo is a registered trademark of U.S. Green Building Council and is used with permission. American Auto-Matrix, Smart Building Solutions, the Rocket A, AspectFT, AspectFT-Facility, and the Matrix are either registered trademarks or trademarks of American Auto-Matrix. All Rights Reserved.